

## 2. Front Hood

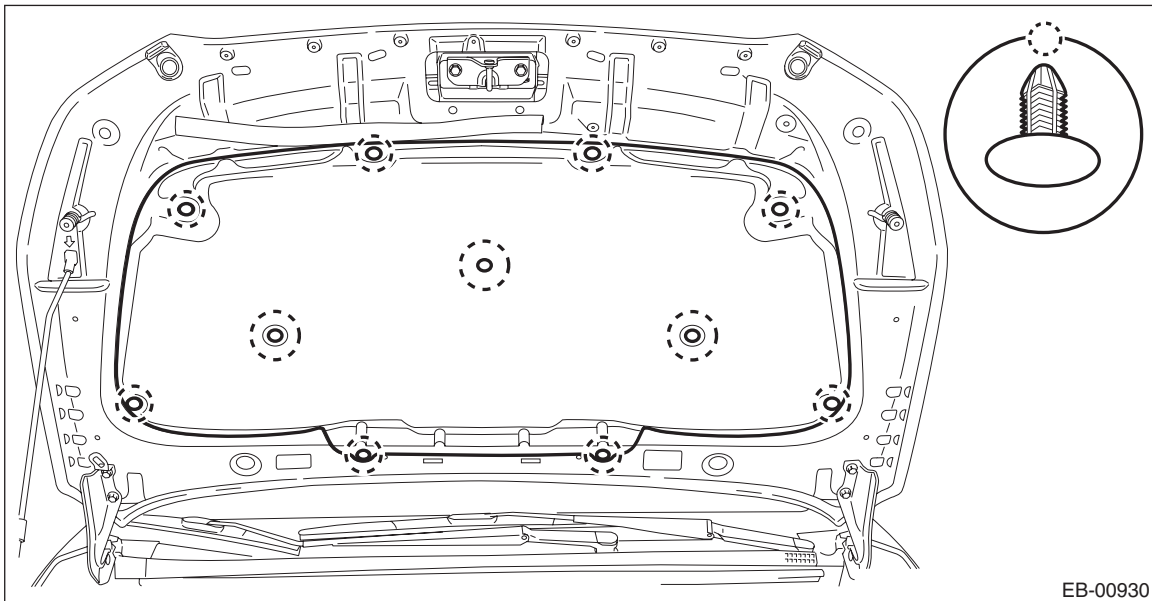
### A: REMOVAL

#### 1. FRONT HOOD PANEL

**CAUTION:**

The hood COMPL - front is heavy. When removing or installing the hinge COMPL - front hood, be sure to work in a group of two or more.

- 1) Open the hood COMPL - front.
- 2) Remove the clips, and remove the insulator - front hood.

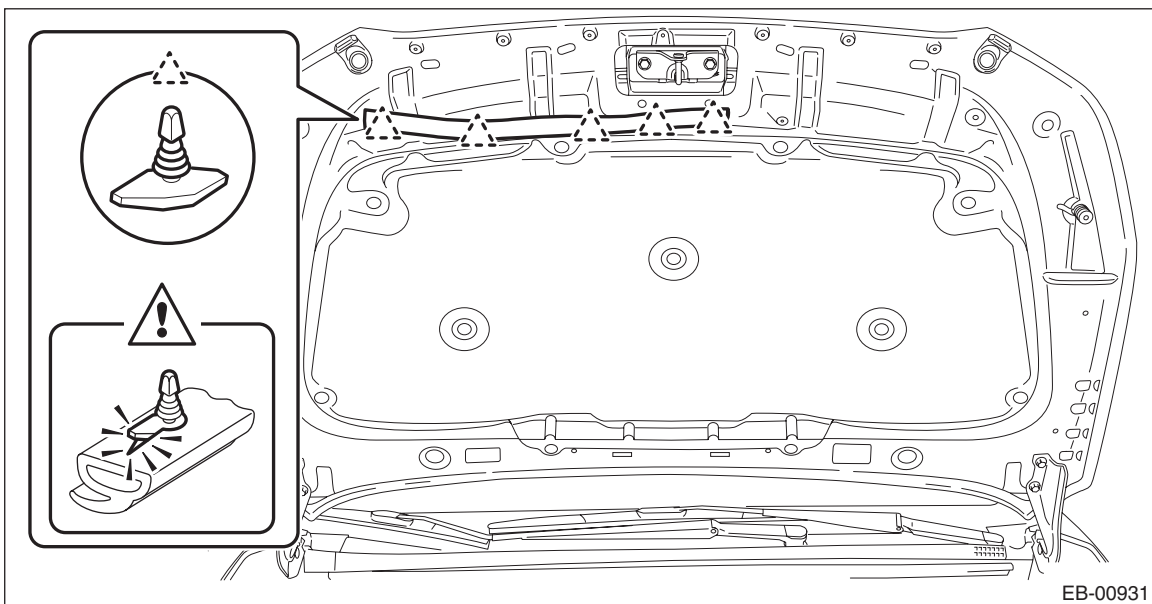


EB-00930

- 3) Remove the clip, and remove the seal - front duct.

**CAUTION:**

If the weather strip clip is removed with excessive force, the seal - front duct may be damaged. Be sure to use clip remover, etc. to remove.

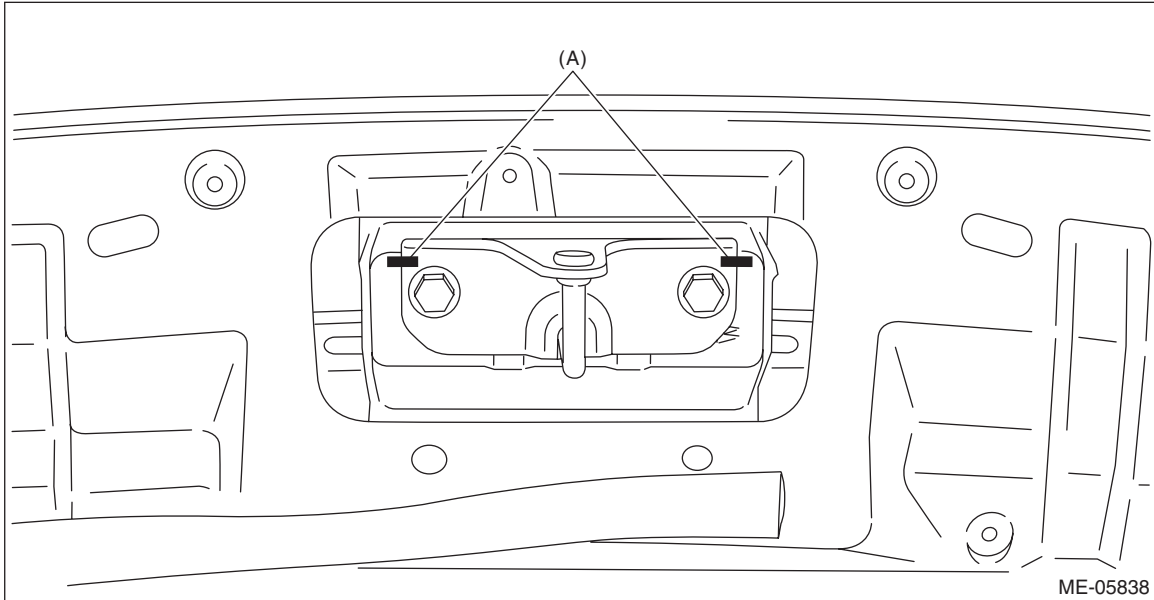


EB-00931

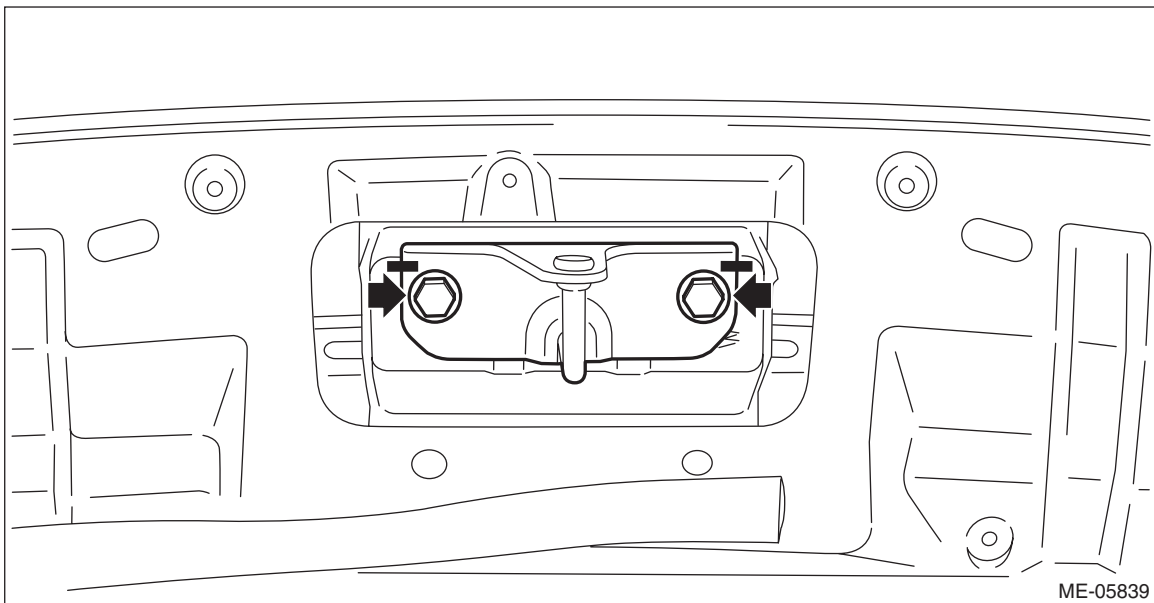
# Front Hood

## EXTERIOR BODY PANELS

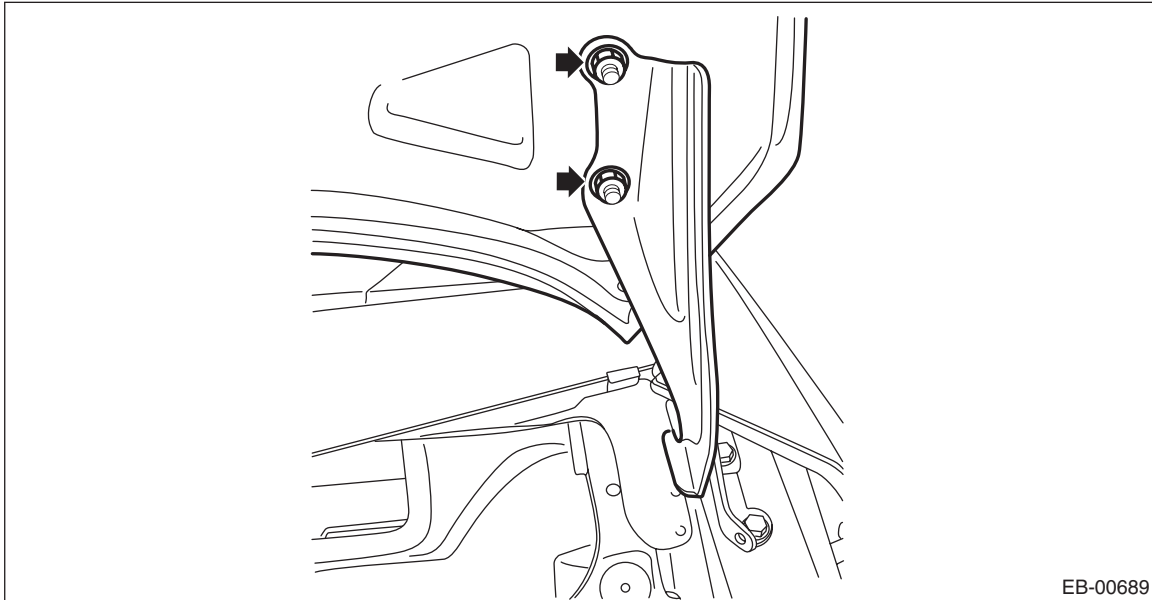
- 4) Using a marker pen, make alignment marks (A) on the hood COMPL - front and the striker - front hood.



- 5) Remove the striker - front hood from the hood COMPL - front.



6) Remove the nut on the hood COMPL - front side, and remove the hood COMPL - front.



## 2. FRONT HOOD HINGE

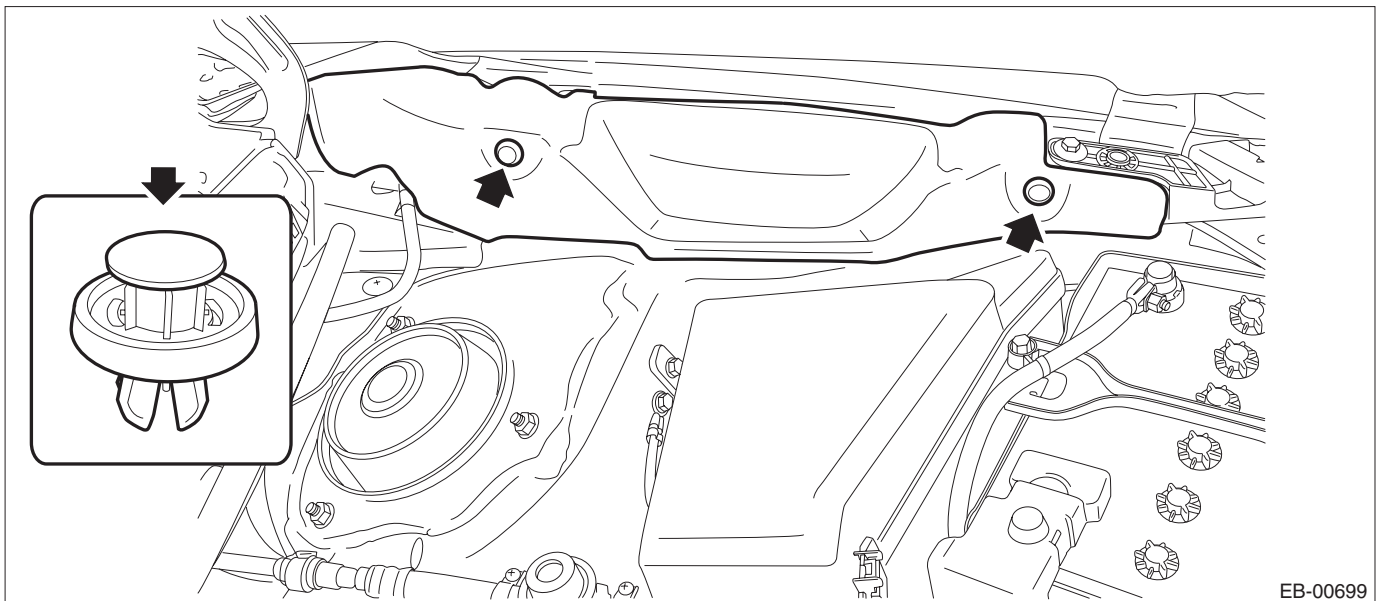
### CAUTION:

The hood COMPL - front is heavy. When removing or installing the hinge COMPL - front hood, be sure to work in a group of two or more.

1) Remove the cover - front fender.

(1) Remove the clip.

(2) Release the claws by pulling them forward, and remove the cover - front fender.



2) Remove the fender COMPL - front. <Ref. to EB-16, REMOVAL, Front Fender.>

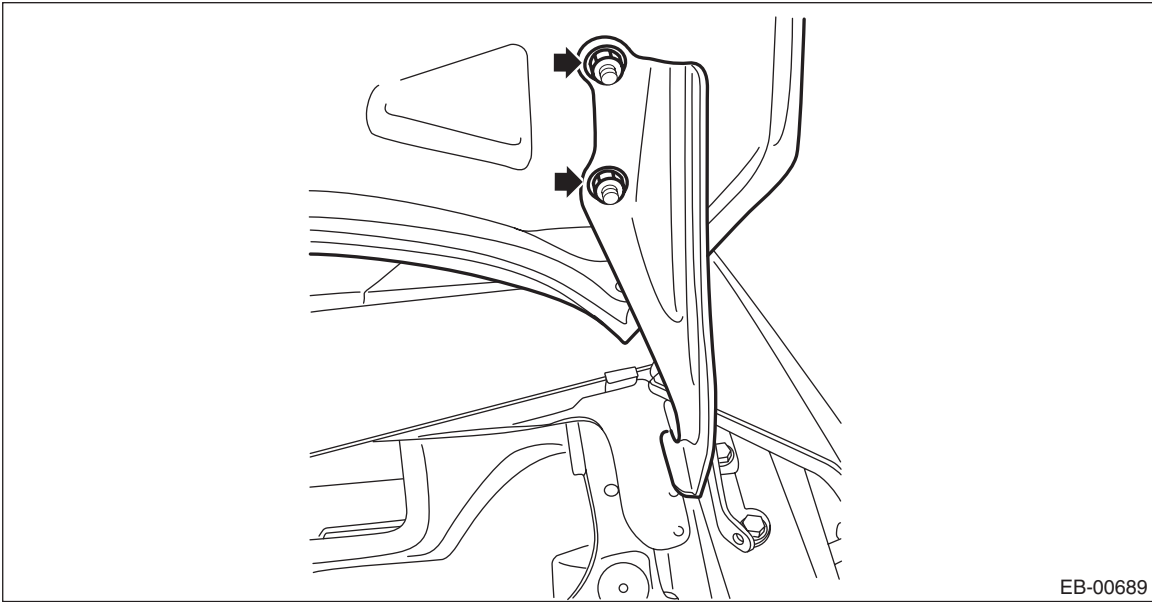
# Front Hood

## EXTERIOR BODY PANELS

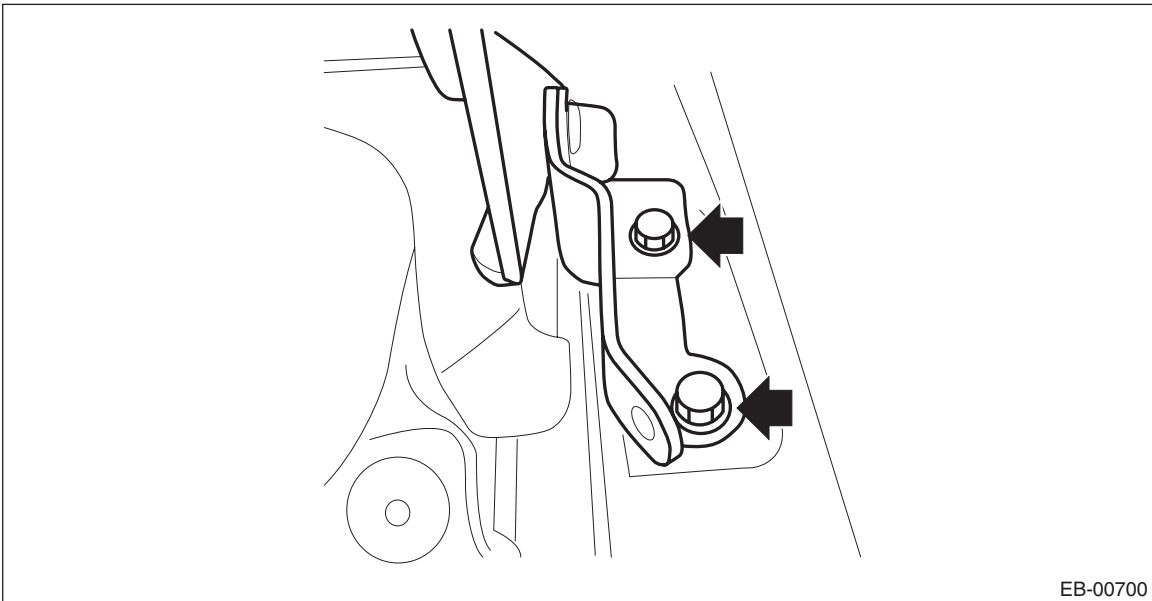
---

3) Remove the hood COMPL - front.

(1) Remove the nuts on the hood panel side, and remove the hood COMPL - front.



4) Remove the bolts, and remove the hinge COMPL - front hood.



## B: INSTALLATION

### CAUTION:

The hood COMPL - front is heavy. When removing or installing the hinge COMPL - front hood, be sure to work in a group of two or more.

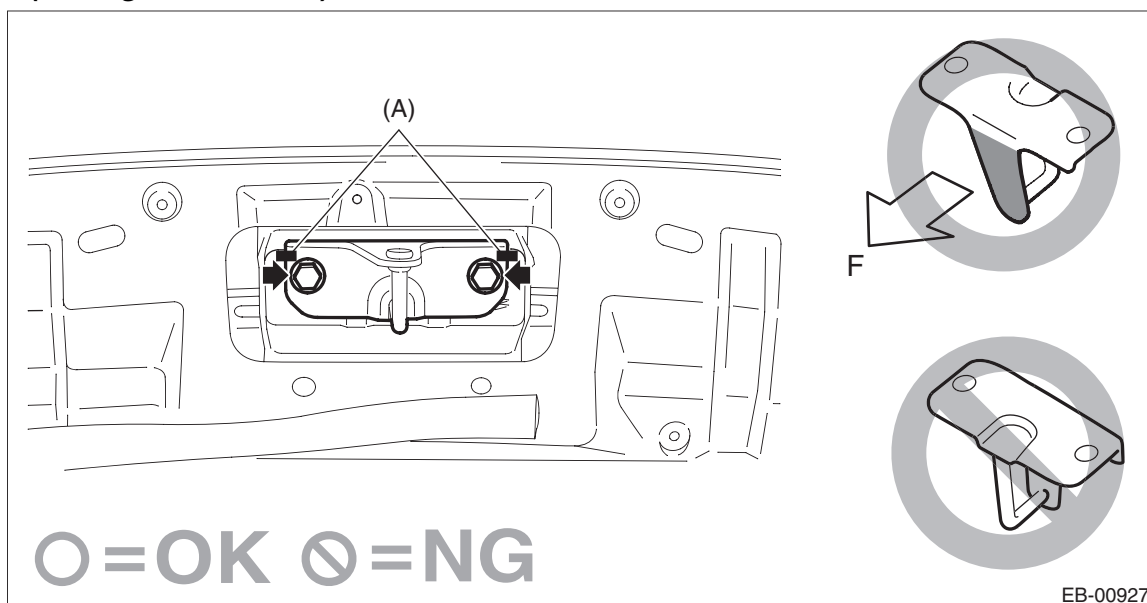
- 1) To install the insulator - front hood and the seal - front duct, follow the removal procedure in the reverse order.
- 2) Align the alignment marks (A), and install the striker - front hood to the hood COMPL - front.

### CAUTION:

When installing the striker - front hood, make sure that the front and rear sides are positioned in a correct direction.

### Tightening torque:

**33 N·m (3.36 kgf·m, 24.3 ft·lb)**



(A) Alignment mark

F Front side of vehicle

### NOTE:

It is not necessary to adjust the striker - front hood because there is no span of adjustable range.

- 3) Install the hinge COMPL - front hood to the vehicle body. (When the hinge COMPL - front hood is removed)
- 4) Temporarily install the hood COMPL - front to the hinge COMPL - front hood.

### NOTE:

When installing the hood COMPL - front, make sure that a uniform clearance is created around it.

- 5) Adjust the clearance around the hood COMPL - front. <Ref. to EB-14, ADJUSTMENT, Front Hood.>
- 6) Tighten the bolts and nuts of the hinge COMPL - front hood.

### Tightening torque:

**25 N·m (2.55 kgf·m, 18.4 ft·lb)**

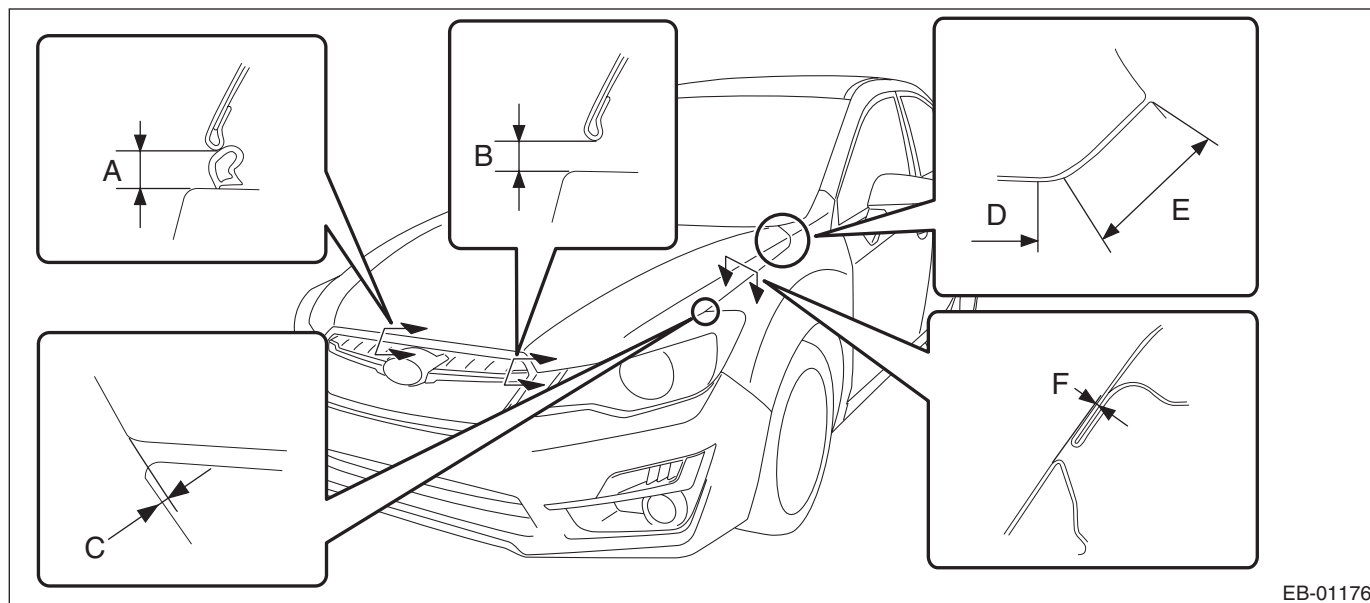
- 7) Install each part of the hood COMPL - front in the reverse order of removal.
  - Insulator - front hood
  - Seal - front duct

# Front Hood

## EXTERIOR BODY PANELS

### C: ADJUSTMENT

Adjust the clearance around the hood COMPL - front as follows.

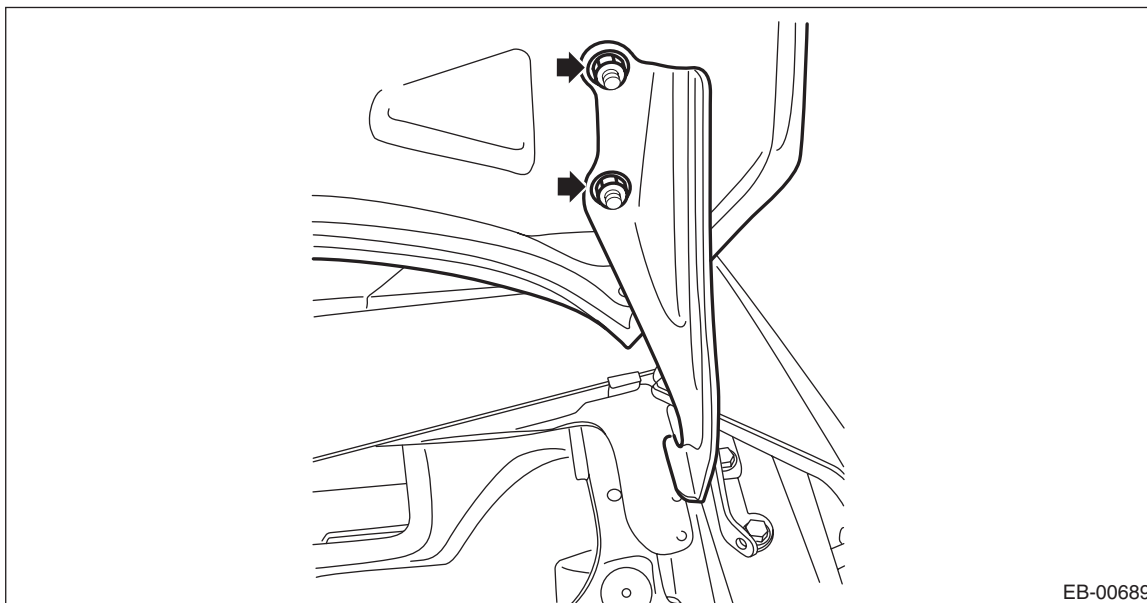


EB-01176

Part		Standard
A	Hood COMPL - front to Front grille	7.5±1.0 mm (0.30±0.04 in)
B	Hood COMPL - front to Bumper face - front	6.0+2.0, -1.0 mm (0.24+0.08, -0.04 in)
C	Offset value: Hood COMPL - front to Front end of fender COMPL - front	0+0.5, -1.0 mm (0+0.02, -0.04 in)
D	Hood COMPL - front to Fender COMPL - front (from front end to just before curved portion)	3.5±1.0 mm (0.14±0.04 in)
E	Hood COMPL - front to Fender COMPL - front (from rear end to just before curved portion)	4.5±1.0 mm (0.18±0.04 in)
F	Surface level gap: Hood COMPL - front to Fender COMPL - front	0.5+0.5, -1.0 mm (0.02+0.02, -0.04 in)

1) Adjust the horizontal position of the hood COMPL - front.

(1) Loosen the attaching nuts of the hinge COMPL - front hood on the left and right sides.



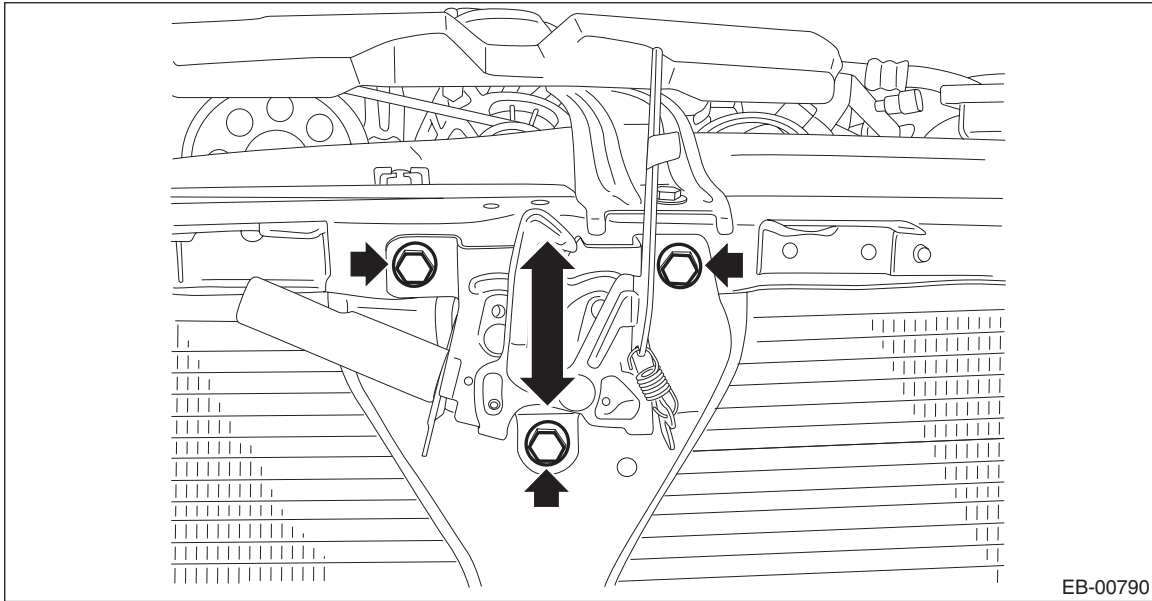
EB-00689

- (2) Adjust the horizontal clearance of the hood COMPL - front, and tighten the attaching nuts of the hinge COMPL - front hood.

**Tightening torque:**

**25 N·m (2.55 kgf·m, 18.4 ft·lb)**

- 2) Adjust the front end height of the hood COMPL - front.
  - (1) Loosen the bolts on the lock assembly - front hood.
  - (2) Adjust the lock assembly - front hood by moving it up and down.



**Tightening torque:**

**33 N·m (3.36 kgf·m, 24.3 ft·lb)**

- 3) Rotate the buffer - front hood of the hood COMPL - front to adjust the height.

